

812 SERIES

Pneumatic Toggle Clamps | Product Overview

Features:

- Smallest of the pneumatic hold down series
- Pneumatic version of Model 201-U

Applications:

- Assembly
- Welding

Also Available:

See page MC-ACC-1
for spindle accessories

See page MC-PSC-38
for sensing options

High temperature version available
upon request as Model 812-**U-HT**

812-U



Technical Information | Holding Capacities

Model	Maximum Holding Capacity		Maximum Exerting Force @ 5 bar [72 PSI]		Weight	Bore Size	Air Consumption† dm ³ [ft ³]	Port Size	Accessories (Supplied)	
	Inner	Outer	Inner	Outer					Spindle Accessory	Flanged Washers
812-U	[100 lbf] 440 N	[55 lbf] 245 N	[136 lbf] 613 N	[92 lbf] 413 N	[0.46 lbs] 0,21 kg	[0.75] 19,1	[0.003] 0,09	M5	305208-M	102111

†Per double stroke at 5 bar [72 PSI]

Max. Operating Temp: -23°C to 74°C [-10°F to 165°F]

Optional Sensors: 810156, 810158

Replacement Clamp Assembly: 812-U-LC

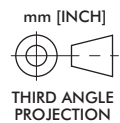
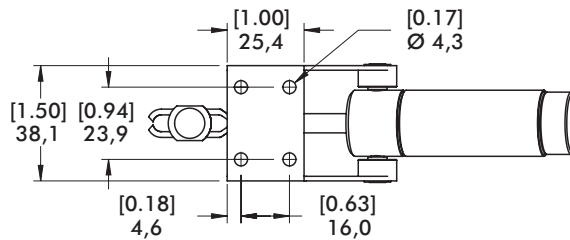
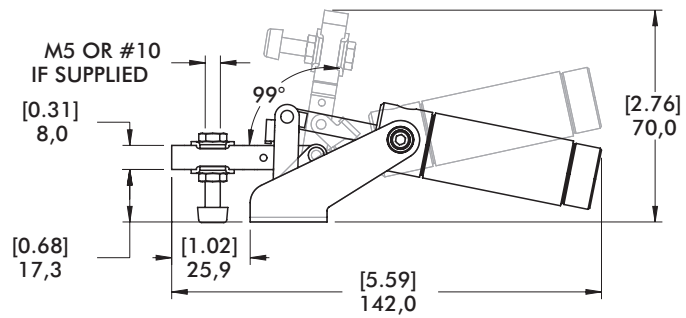
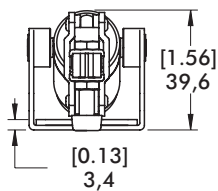
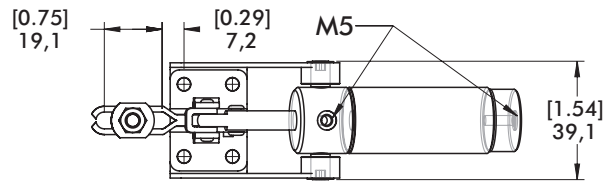
Replacement Cylinder Assembly: 812CYL

In no case should the inlet pressure be high enough to create an exerting force that exceeds the clamp's holding capacity. See Technical Appendix Section for details.

812 SERIES

Pneumatic Toggle Clamps | Dimensions | -U

812-U



Note:

Model 812-U requires either 810156 or 810158 sensors. Two (2) sensors are required if detecting both open and closed positions. These sensors use 810156-1 (included with sensors) band clamp to mount the sensor to the cylinder wall.

